

**NEW:**  
Now also with  
zero lap spools



## Direct Operated Proportional DC Valve with Position Feedback

Series D1FC / D3FC

aerospace  
climate control  
electromechanical  
filtration  
fluid & gas handling  
hydraulics  
pneumatics  
process control  
sealing & shielding



ENGINEERING YOUR SUCCESS.

**Admittedly: the idea of placing highly valuable content in a sturdy and compact enclosure is not entirely new.**



**We've simply adopted it for industrial hydraulics and refined it with the latest technology. The result: the new D1FC/D3FC series.**



**Full range: the proportional DC valves from Parker**

With the new D1FC/D3FC series of direct operated proportional DC valves Parker is adding a highly innovative version with digital electronics to its range of propor-

tional valves. As such our portfolio meets all the industrial hydraulics requirements related to efficient and customized control.

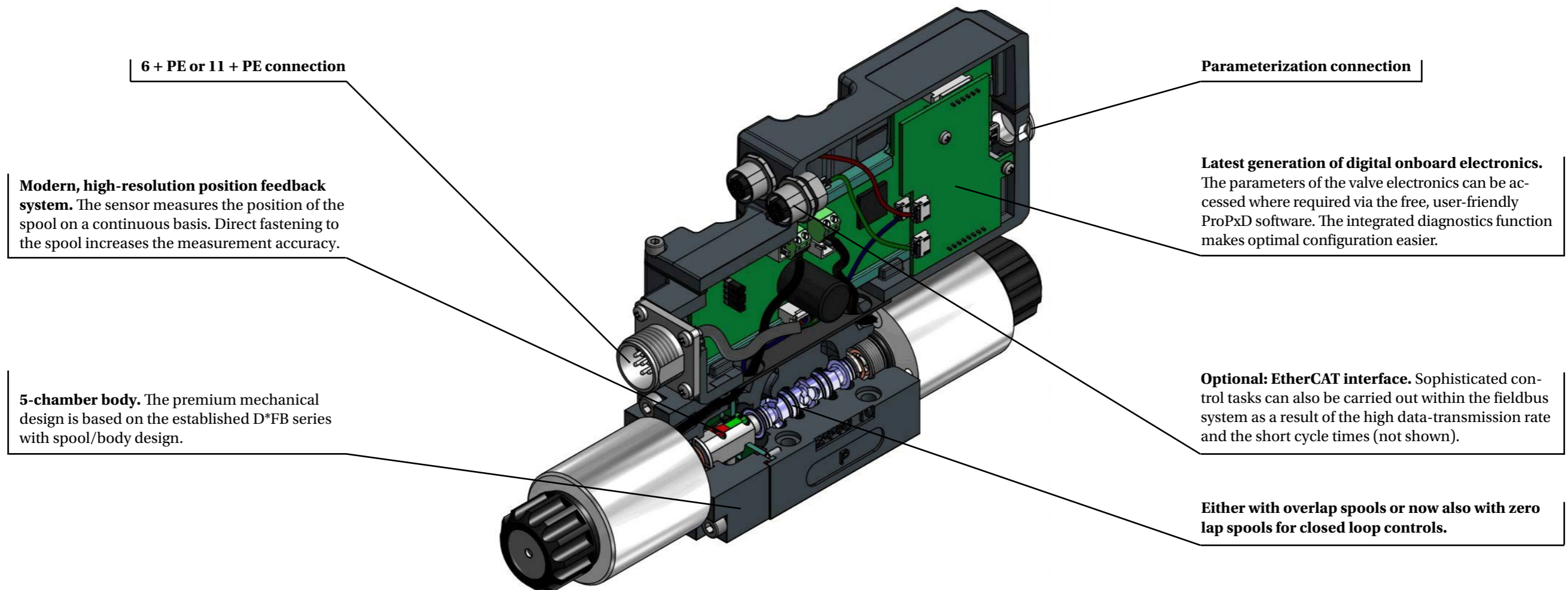
# In good shape and with innovative technology: the new D1FC/D3FC series

The D1FC direct operated proportional DC valve in nominal size NG06 and D3FC in nominal size NG10 combine highly compact external dimensions with modern digital control technology.

The position feedback system connected directly to the spool and fully integrated into the enclosure is unique for this performance category.

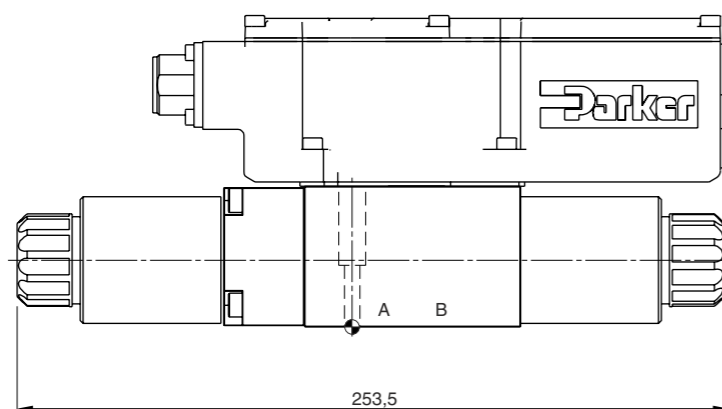
Both the D1FC as well as the D3FC are among the shortest position-controlled proportional DC valves on the market. The absence of any exposed cable increases re-

liability, and the connection to the position control can not be disconnected unintentionally as a result.

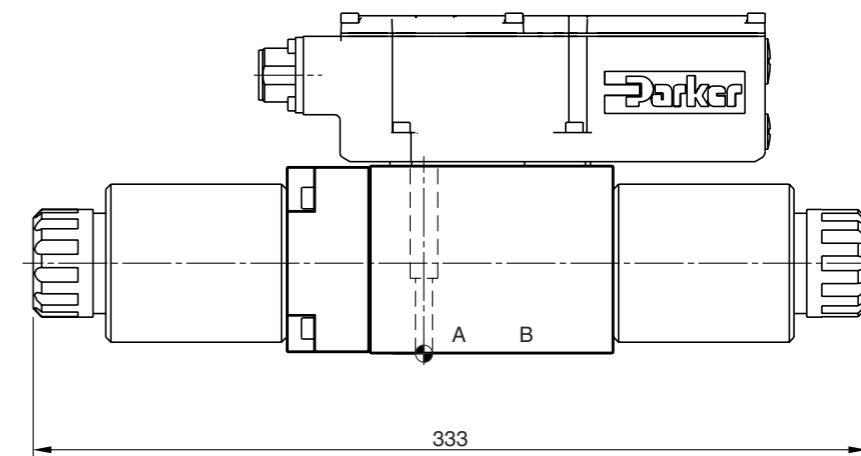


## Short and flush: compact dimensions

D1FC



D3FC



# Because the inner values count: the technical data.



The new D1FC/D3FC series from Parker provides the optimum conditions for economic operation in demanding applica-

tions. They provide a high level of dynamics combined with high flow.

## Technical characteristics

- Direct operated proportional DC valves with position feedback system in two nominal sizes: NG06 and NG10
- Body based on D\*FB with spool/body design
- Progressive flow characteristics for precise control of flow
- Low hysteresis
- Compact dimensions
- Onboard electronics are parameterizable via the free software
- EtherCAT interface (optional)
- Solenoid disable (optional)

## Hydraulic specifications

	D1FC	D3FC
Max. operating pressure	Ports P, A, B 350; port T max. 35; 210 (external drain); port Y max. 35 bar	
Nominal flow at $\Delta p = 5$ bar per control edge	5 / 10 / 20 / 30 l/min	35 / 55 / 75 l/min
Step response at 100 % step	20 ms	40 ms
Hysteresis	< 0.1 %	
Leakage at 100 bar	< 800 ml/min (zero lap spool) < 300 ml/min (overlap spool)	< 1000 ml/min (zero lap spool) 500 ml/min (overlap spool)

## Electrical specifications

		D1FC / D3FC
Command	Code B	0...+10 V P->A
Command	Code E	0...+20 mA P->A
Command	Code S	12...+20 mA P->A
Electrical connection		6 + PE or 11 + PE acc. to EN 175201-804
Adjustment ranges	Min	0...50 %
	Max	50...100 %
	Ramp	0...32.5 s

## Strength points:

- Fully integrated position feedback system
- Position feedback sensor positioned directly on the spool
- Digital electronics
- High level of dynamics and flows
- Very good repeatability
- NEW: With zero lap spools
- Short delivery times
- With EtherCAT interface upon request

## Benefits for users:

- ➔ Protection from mechanical external influences, resulting in lower down times
- ➔ Very precise measurements, resulting in improved process accuracy
- ➔ Can be easily adapted to the application, resulting in flexible use
- ➔ Optimized process speed
- ➔ Improved process and product accuracy
- ➔ For closed loop controls
- ➔ No storage necessary
- ➔ High data speeds, short cycle times

## More detailed information? With pleasure!

Want to know more about the new D1FC/D3FC series? Just write to us at the following email address [valveshcd@parker.com](mailto:valveshcd@parker.com). We'll be happy to give you more information about the technology, show you application examples and send you the relevant documentation.

You can find further details on our website at [www.parker.com/euro\\_hcd](http://www.parker.com/euro_hcd). Our ProPxD software can be downloaded from [www.parker.com/propxd](http://www.parker.com/propxd).

The QR Code provided here leads you directly to the catalog data sheets with detailed depiction of the technical data.



D1FC



D3FC

# Parker Worldwide

## Europe, Middle East, Africa

**AE – United Arab Emirates,**  
Dubai

Tel: +971 4 8127100  
parker.me@parker.com

**AT – Austria,** Wiener Neustadt

Tel: +43 (0)2622 23501-0  
parker.austria@parker.com

**AT – Eastern Europe,** Wiener  
Neustadt

Tel: +43 (0)2622 23501 900  
parker.easteurope@parker.com

**AZ – Azerbaijan,** Baku

Tel: +994 50 22 33 458  
parker.azerbaijan@parker.com

**BE/LU – Belgium,** Nivelles

Tel: +32 (0)67 280 900  
parker.belgium@parker.com

**BG – Bulgaria,** Sofia

Tel: +359 2 980 1344  
parker.bulgaria@parker.com

**BY – Belarus,** Minsk

Tel: +48 (0)22 573 24 00  
parker.poland@parker.com

**CH – Switzerland,** Etoy

Tel: +41 (0)21 821 87 00  
parker.switzerland@parker.com

**CZ – Czech Republic,** Klecany

Tel: +420 284 083 111  
parker.czechrepublic@parker.com

**DE – Germany,** Kaarst

Tel: +49 (0)2131 4016 0  
parker.germany@parker.com

**DK – Denmark,** Ballerup

Tel: +45 43 56 04 00  
parker.denmark@parker.com

**ES – Spain,** Madrid

Tel: +34 902 330 001  
parker.spain@parker.com

**FI – Finland,** Vantaa

Tel: +358 (0)20 753 2500  
parker.finland@parker.com

**FR – France,** Contamine s/Arve

Tel: +33 (0)4 50 25 80 25  
parker.france@parker.com

**GR – Greece,** Athens

Tel: +30 210 933 6450  
parker.greece@parker.com

**HU – Hungary,** Budaörs

Tel: +36 23 885 470  
parker.hungary@parker.com

**IE – Ireland,** Dublin

Tel: +353 (0)1 466 6370  
parker.ireland@parker.com

**IT – Italy,** Corsico (MI)

Tel: +39 02 45 19 21  
parker.italy@parker.com

**KZ – Kazakhstan,** Almaty

Tel: +7 7273 561 000  
parker.easteurope@parker.com

**NL – The Netherlands,** Oldenzaal

Tel: +31 (0)541 585 000  
parker.nl@parker.com

**NO – Norway,** Asker

Tel: +47 66 75 34 00  
parker.norway@parker.com

**PL – Poland,** Warsaw

Tel: +48 (0)22 573 24 00  
parker.poland@parker.com

**PT – Portugal**

Tel: +351 22 999 7360  
parker.portugal@parker.com

**RO – Romania,** Bucharest

Tel: +40 21 252 1382  
parker.romania@parker.com

**RU – Russia,** Moscow

Tel: +7 495 645-2156  
parker.russia@parker.com

**SE – Sweden,** Spånga

Tel: +46 (0)8 59 79 50 00  
parker.sweden@parker.com

**SK – Slovakia,** Banská Bystrica

Tel: +421 484 162 252  
parker.slovakia@parker.com

**SL – Slovenia,** Novo Mesto

Tel: +386 7 337 6650  
parker.slovenia@parker.com

**TR – Turkey,** Istanbul

Tel: +90 216 4997081  
parker.turkey@parker.com

**UA – Ukraine,** Kiev

Tel: +48 (0)22 573 24 00  
parker.poland@parker.com

**UK – United Kingdom,** Warwick

Tel: +44 (0)1926 317 878  
parker.uk@parker.com

**ZA – South Africa,** Kempton Park

Tel: +27 (0)11 961 0700  
parker.southafrica@parker.com

## North America

**CA – Canada,** Milton, Ontario

Tel: +1 905 693 3000

**US – USA,** Cleveland

(industrial)  
Tel: +1 216 896 3000

**US – USA,** Elk Grove Village

(mobile)  
Tel: +1 847 258 6200

## Asia Pacific

**AU – Australia,** Castle Hill

Tel: +61 (0)2-9634 7777

**CN – China,** Shanghai

Tel: +86 21 2899 5000

**HK – Hong Kong**

Tel: +852 2428 8008

**ID – Indonesia,** Tangerang

Tel: +62 21 7588 1906

**IN – India,** Mumbai

Tel: +91 22 6513 7081-85

**JP – Japan,** Fujisawa

Tel: +81 (0)4 6635 3050

**KR – South Korea,** Seoul

Tel: +82 2 559 0400

**MY – Malaysia,** Shah Alam

Tel: +60 3 7849 0800

**NZ – New Zealand,** Mt Wellington

Tel: +64 9 574 1744

**SG – Singapore**

Tel: +65 6887 6300

**TH – Thailand,** Bangkok

Tel: +662 186 7000

**TW – Taiwan,** New Taipei City

Tel: +886 2 2298 8987

**VN – Vietnam,** Ho Chi Minh City

Tel: +84 8 3999 1600

## South America

**AR – Argentina,** Buenos Aires

Tel: +54 3327 44 4129

**BR – Brazil,** Cachoeirinha RS

Tel: +55 51 3470 9144

**CL – Chile,** Santiago

Tel: +56 2 623 1216

**MX – Mexico,** Toluca

Tel: +52 72 2275 4200

### EMEA Product Information Centre

Free phone: 00 800 27 27 5374

(from AT, BE, CH, CZ, DE, DK, EE, ES, FI, FR, IE, IL,  
IS, IT, LU, MT, NL, NO, PL, PT, RU, SE, SK, UK, ZA)

### US Product Information Centre

Toll-free number: 1-800-27 27 537

[www.parker.com](http://www.parker.com)

